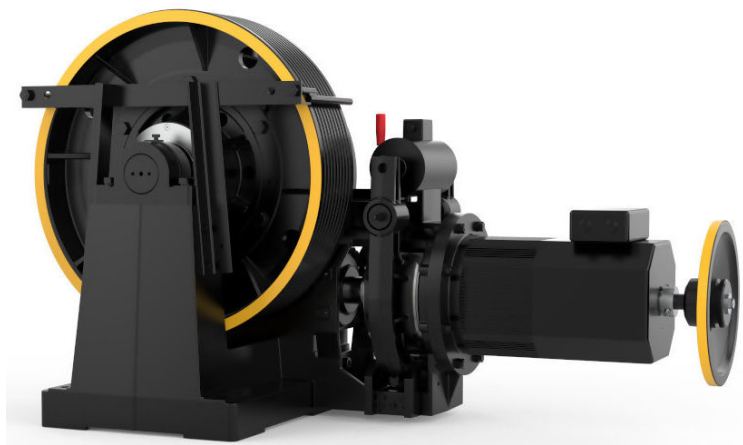
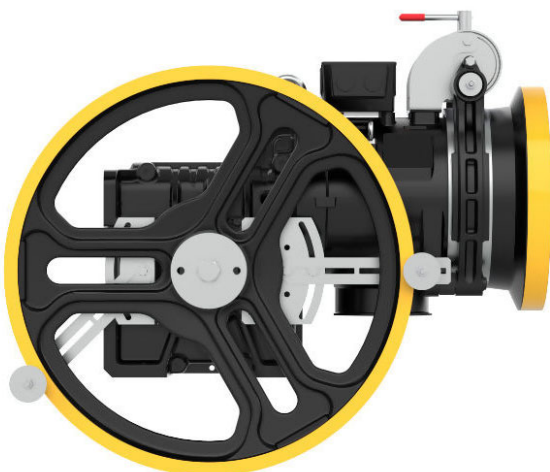
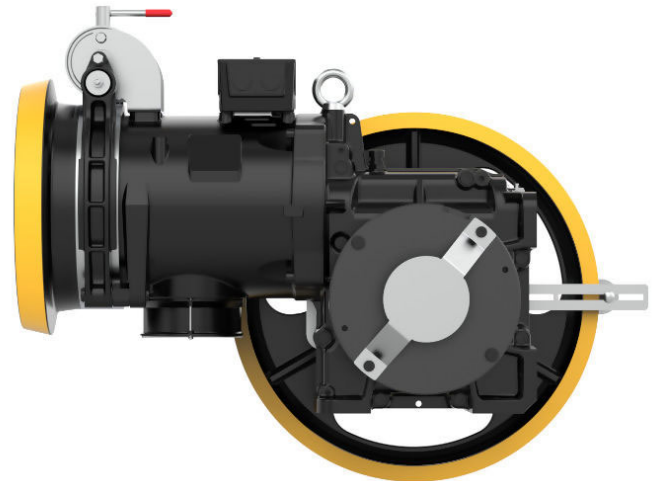


SICOR SpA - Geared Machines

- Sicor geared machines covers rated loads up to 5.500kg in roping 1:1, speeds of up to 2.5m/s with traction sheaves from 320 to 885mm.
- Components machined with high precision CNC machines and tested with Zeiss 3D testing machines.
- Motors made in Italy with insulation class F, protection.
- Traction sheaves only made of EN-GJS-700-2-UNI EN 1563 (>250HB)
- Compliance with Lift Directive 2014/33 / EU, and with EN81-20, EN81-50
- Speed range in 1:1 : 0.25 to 2.5m/s (50Hz); 0.3 to 4.8m/s (60Hz)
- IP21, forced ventilation, 180 & 240 s/h
- Single speed (for VVVF) and AC2 motors available
- Different flywheels available to comply with installation requirements
- Twin-brakes with mechanically independent action
- Synthetic oil used for each machine

Options:

- Slow shaft brake (SSB)
- Encoder
- Standardized machine bedplate with/without deflection pulley, with/without vibration mountings
- Special rafts on request



G1P01/22